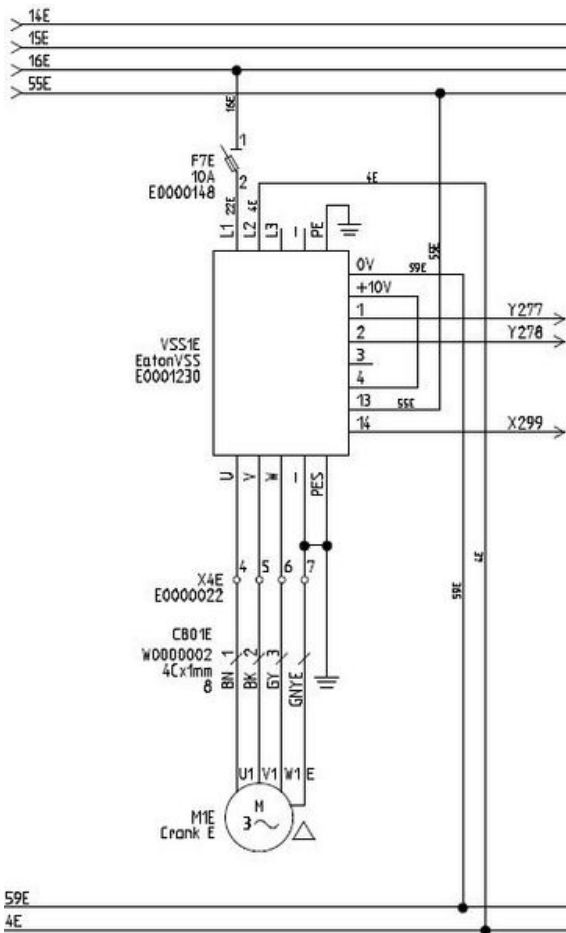


# Fichier:Fitting Zx5 Crank Upgrade Module E Eaton drive.JPG



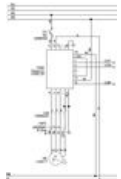
Size of this preview: 362 × 599 pixels.

Original file (385 × 637 pixels, file size: 37 KB, MIME type: image/jpeg)

Fitting\_Zx5\_Crank\_Upgrade\_Module\_E\_Eaton\_drive

## File history

Click on a date/time to view the file as it appeared at that time.

	Date/Time	Thumbnail	Dimensions	User	Comment
current	16:40, 23 September 2019		385 × 637 (37 KB)	Gareth Green (talk   contribs)	Fitting_Zx5_Crank_Upgrade_Module_E_Eaton_drive

You cannot overwrite this file.

## File usage

The following page links to this file:

Fitting Zx5 Crank Upgrade

## Metadata

This file contains additional information, probably added from the digital camera or scanner used to create or digitize it. If the file has been modified from its original state, some details may not fully reflect the modified file.

Author	Laurence Endall
Date and time of data generation	15:31, 23 September 2019
Date and time of digitizing	15:31, 23 September 2019
DateTimeOriginal subseconds	28
DateTimeDigitized subseconds	28