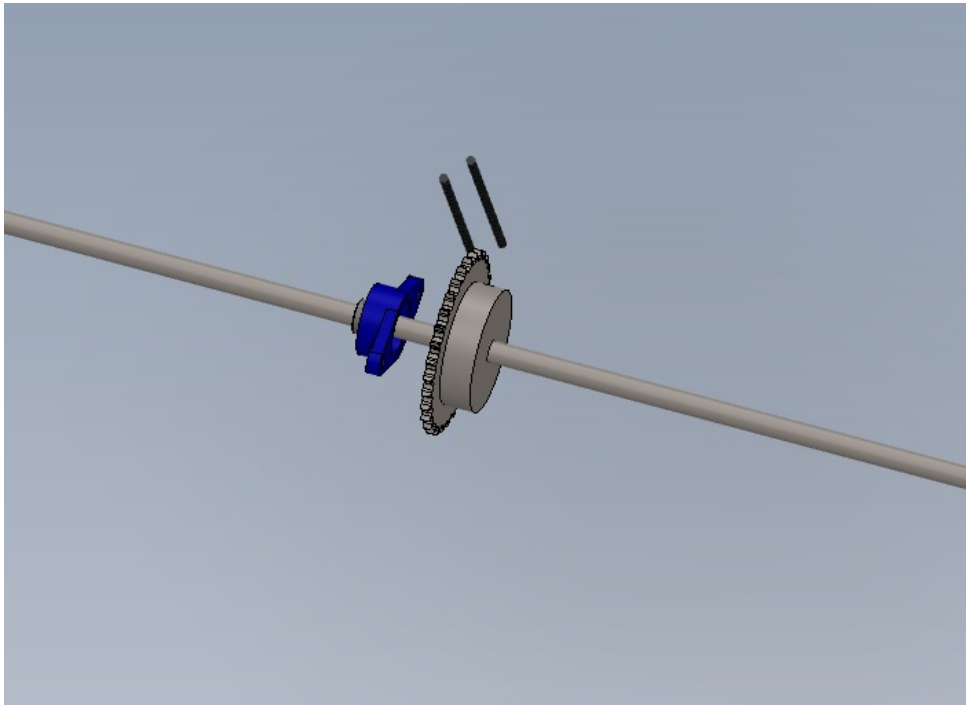


Fichier:Bench assemble Shafts bearings and sprockets R0015077B Screenshot 13.png




No higher resolution available.

Bench_assemble_Shafts_bearings_and_sprockets_R0015077B_Screenshot_13.png (705 × 511 pixels, file size: 67 KB, MIME type: image/png)

Bench_assemble_Shafts_bearings_and_sprockets_R0015077B_Screenshot_13

File history

Click on a date/time to view the file as it appeared at that time.

	Date/Time	Thumbnail	Dimensions	User	Comment
current	17:04, 7 June 2023		705 × 511 (67 KB)	Gareth Green (talk contribs)	Bench_assemble_Shafts_bearings_and_sprockets_R0015077B_Screenshot_13

You cannot overwrite this file.

File usage

The following page links to this file:

R0015270 Bench assemble Shafts, bearings and sprockets

Metadata

This file contains additional information, probably added from the digital camera or scanner used to create or digitize it. If the file has been modified from its original state, some details may not fully reflect the modified file.

Horizontal resolution	37.79 dpc
Vertical resolution	37.79 dpc