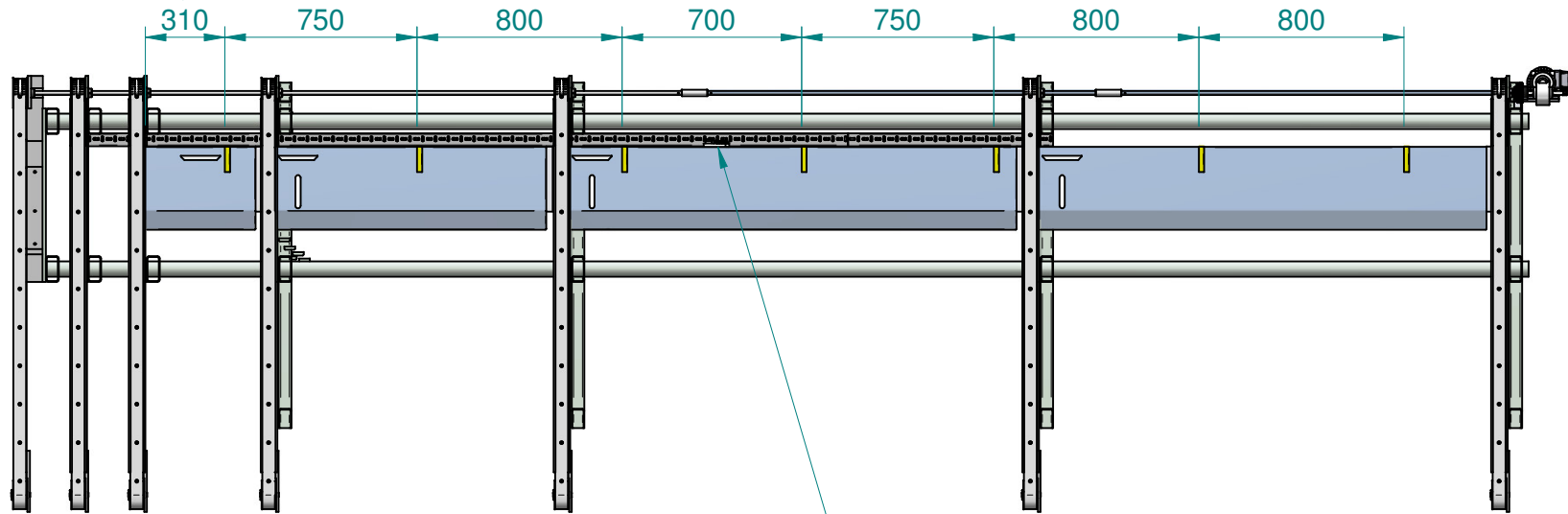
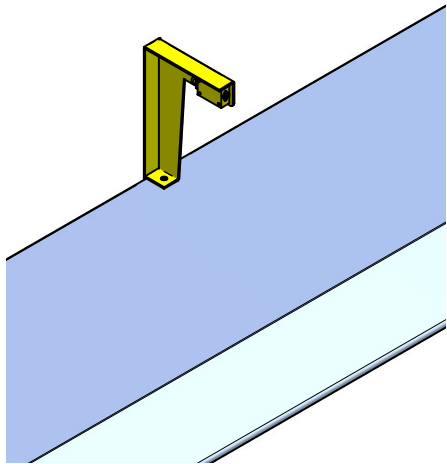


MEASURED TO END OF
STAINLESS STEEL TRAY



SENSOR SPLITTER BOX
MOUNTED ON VERTICAL FACE



MOUNTING DETAIL

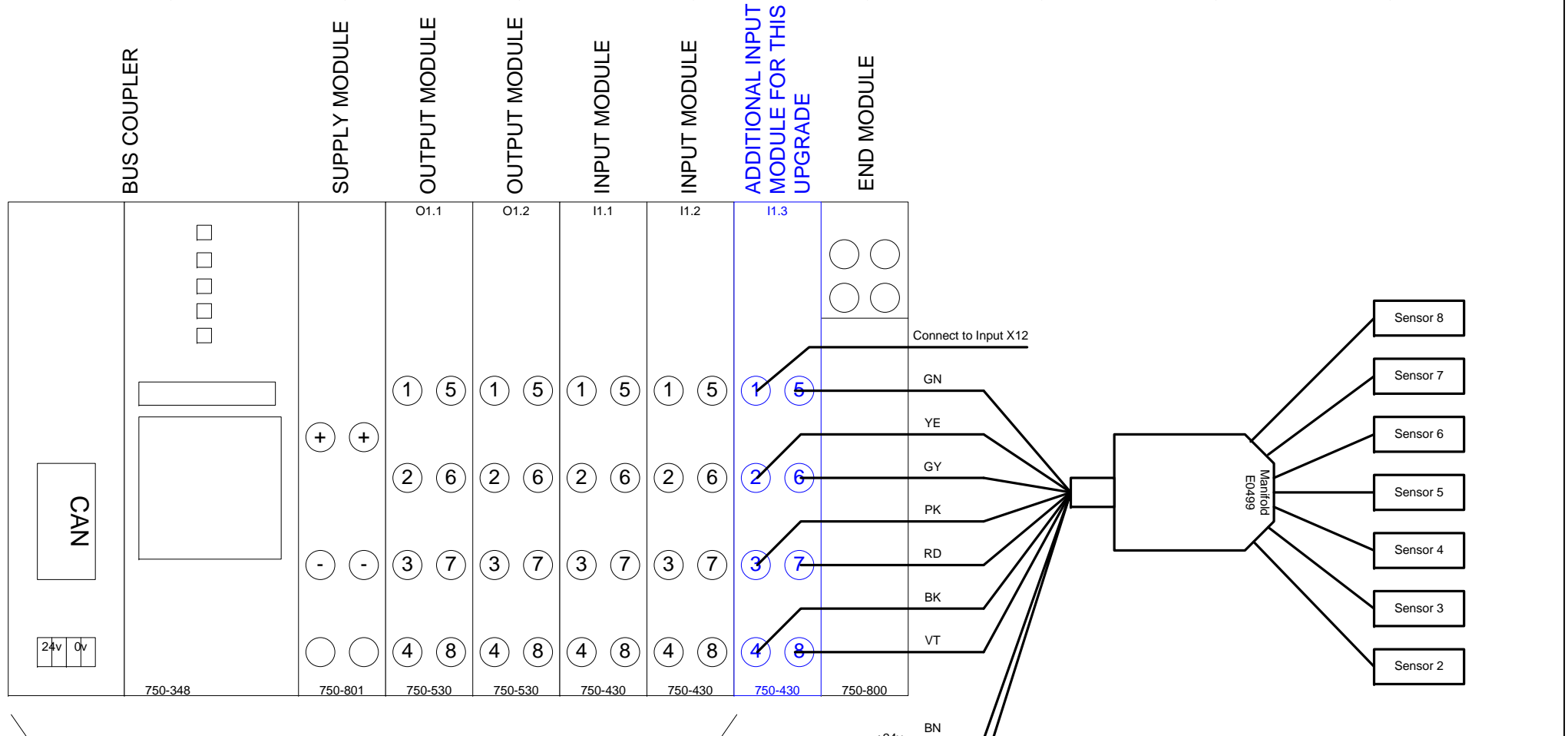
Stuga[®]
CNC MACHINING SYSTEMS

Thomas Engineering
8 Brinell Way
Hairfryes Industrial Estate
Great Yarmouth, NR31 0LU
Tel: 01493 650107
Fax: 01493 415605
Web: www.stuga.co.uk

© This drawing and the information thereon is the property of Thomas Engineering. Drawings may not be sold, lent or copied without the prior consent of Thomas Engineering and must be returned on demand.

-	-	-	-	-	-
1	10/09/08	NLC	Original	-	-
Issue	Date	By	Description of Change	ECR No.	
			1. Tapped Holes, Use ISO Coarse (Unless Stated)	Drawing Title	Scale
			2. Tolerances, Decimal Places 0=±1mm, 0.0=±0.1mm, 0.00=±0.05mm	Autoqueue Sensors (Flowline)	n/a
			3. Remove All Burrs and Sharp Edges	Drawn	NLC
			4. If in Doubt Ask	Date	10/09/08
Material	-	Opp. Hand	-	Chk'd	-
Finish	-	Stock	J0000090	Date	-
				1st Angle Projection Dimensions in millimeters unless otherwise stated. Do not scale. If in doubt ask.	Drawing No
				R0000230	Sheet
				1 of 1	Iss
				1	1

11	12	13	14	15	16	17	18	19
----	----	----	----	----	----	----	----	----



CAN Nodes for Neuron Upgrade

DRAWING NO Q1692	TITLE R0230 Sensor Wiring Diagram for Neuron	CUSTOMER .	SHEET 1	CONT ON .	DRAWN BY GMG	DATE 02/09/09	ISSUE 1
---------------------	---	---------------	------------	--------------	-----------------	------------------	------------